

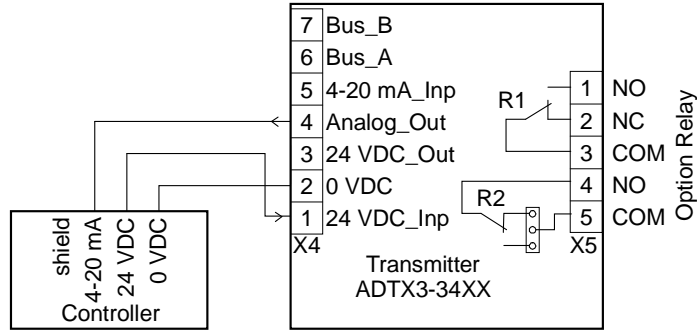


# GAS ALARM SYSTEMS

		\ ( )
	Ex	( ) (pellistor)
:	0 - 100% LEL	
		± 1 % of reading
		< ± 6 %
		< ± 1,5 %
		t <sub>50</sub> ≤ 3 s; t <sub>90</sub> ≤ 10 s /methane
		3
		- 20 °C to + 50 °C (-4 °F to 122 °F)
		≤ 1%
		5 – 95 % RH non-condensing
		± 20 %
		5 °C to 30 °C (41 °F to 86 °F)
		Max. 6
		16 - 28 VDC/AC, ( )
( )	( )	35 mA, max. (0,85 VA)
:	/	(0) 4 – 20 mA, load ≤ 500 Ω
	0 / 20 %	(0) 2 - 10 V; load 50 k Ω
		RS 485 / 19200 Baud (9600 for Mod-Bus)
		A*
		UL 94 V2
*		RAL 7032 ( )
(W x H x D)		94 x 130 x 57 mm (3.7 x 5.12 x 2.24 inch.)
		0.5 kg (1.1 lbs.)
		IP 65
		1 x M 20
		, min. 0.25 mm <sup>2</sup> (24 AWG) max. 2.5 mm <sup>2</sup> (14 AWG)
		: ca. 500 m (1500 ft)
		: ca. 200 m (600 ft.)
		EMC Directive 2004 / 108 / EEC
		CE
		1 ( )
Alarm relay 1		30 VAC/DC 0,5 A, potential-free, SPDT
Alarm relay 2		30 VAC/DC 0,5 A, potential-free, SPNO/SPNC
		30 mA, max. (0,8 VA)
		83 dB ( 200 mm) (0.7 ft.)

# GAS ALARM SYSTEMS

	2,35 kHz	
	30 mA, max. (0,8 VA)	
<b>LCD</b>		
LCD	2            16	
	10 mA, max. (0,3 VA)	
	3 °C ±2°C (37,4°F ± 3,6°F)	
	- 40 °C (-40°F)	
	18 - 28 VDC/AC	
	0,3 A; (7,5 VA)	
RS-485	4 – 20 mA	200 Ω
	24 VDC max. load 50 mA	



# GAS ALARM SYSTEMS

**ADT-23-34XX-X-XXXXXXXXXX**

1XXXXXXXXX			
X1XXXXXXXX			
XX1XXXXXXXX			
XXXX1XXXX	RS- 485		DGC-05
XXXX2XXXX	RS- 485	ModBUS	
XXXX3XXXX	RS- 485		
XXXXX1XXX		\	
XXXXX2XXX			
XXXXX3XXX		\	
XXXXX4XXX			
XXXXXX1XX	LCD		
XXXXXXX1X	4 – 20 mA		
XXXXXXXXX1			0 - 100 % LEL

A  
B  
2  
5

00	Methane	CH <sub>4</sub>
08	Ammonia	NH <sub>3</sub>
10	Ethylene	C <sub>2</sub> H <sub>4</sub>
25	Ethyl alcohol	C <sub>2</sub> H <sub>5</sub> OH
27	Ethyl acetate	CH <sub>3</sub> COOC <sub>2</sub> H <sub>5</sub>
30	Benzene	C <sub>6</sub> H <sub>6</sub>
35	n-Hexane	C <sub>6</sub> H <sub>14</sub>
40	Hydrogen	H <sub>2</sub>
45	Iso propanol alcohol	(CH <sub>3</sub> ) <sub>2</sub> CHOH
50	Methanol	CH <sub>3</sub> OH
58	Methyl ethyl ketone	C <sub>4</sub> H <sub>8</sub> O
60	n-Butane	C <sub>4</sub> H <sub>10</sub>
70	n-Octane	C <sub>8</sub> H <sub>18</sub>
75	n-Pentane	C <sub>5</sub> H <sub>12</sub>
80	Propane (LPG)	C <sub>3</sub> H <sub>8</sub>
85	Acetone	(CH <sub>3</sub> ) <sub>2</sub> CO
90	Toluene	C <sub>7</sub> H <sub>8</sub>
91	n-Heptane	C <sub>7</sub> H <sub>16</sub>
98	JP8	

: Ex

0- 100 % LEL.

: ADT-23-3480-5-000001001