

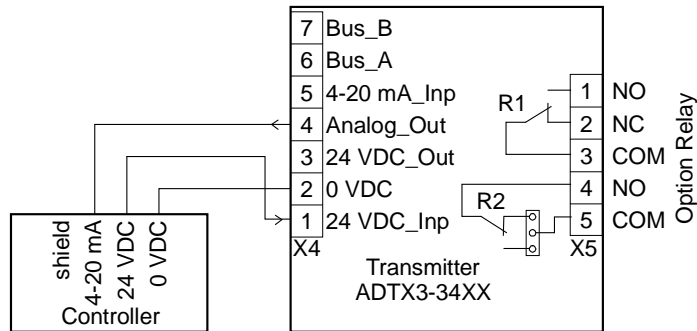
GAS ALARM SYSTEMS

		\ ()
	Ex	() (pellistor)
:	0 - 100% LEL	
		± 1 % of reading
		< ± 6 %
		< ± 1,5 %
		t ₅₀ ≤ 3 s; t ₉₀ ≤ 10 s /methane
		3
		- 20 °C to + 50 °C (-4 °F to 122 °F)
		≤ 1%
		5 – 95 % RH non-condensing
		± 20 %
		5 °C to 30 °C (41 °F to 86 °F)
		Max. 6
		16 - 28 VDC/AC, ()
()	()	35 mA, max. (0,85 VA)
:	/	(0) 4 – 20 mA, load ≤ 500 Ω
	0 / 20 %	(0) 2 - 10 V; load 50 k Ω
		RS 485 / 19200 Baud (9600 for Mod-Bus)
		A*
		UL 94 V2
*		RAL 7032 ()
(W x H x D)		94 x 130 x 57 mm (3.7 x 5.12 x 2.24 inch.)
		0.5 kg (1.1 lbs.)
		IP 65
		1 x M 20
		, min. 0.25 mm ² (24 AWG) max. 2.5 mm ² (14 AWG)
		: ca. 500 m (1500 ft)
		: ca. 200 m (600 ft.)
		EMC Directive 2004 / 108 / EEC
		CE
		1 ()
Alarm relay 1		30 VAC/DC 0,5 A, potential-free, SPDT
Alarm relay 2		30 VAC/DC 0,5 A, potential-free, SPNO/SPNC
		30 mA, max. (0,8 VA)
		83 dB (200 mm) (0.7 ft.)



GAS ALARM SYSTEMS

	2,35 kHz	
	30 mA, max. (0,8 VA)	
LCD		
LCD	2 16	
	10 mA, max. (0,3 VA)	
	3 °C ±2°C (37,4°F ± 3,6°F)	
	- 40 °C (-40°F)	
	18 - 28 VDC/AC	
	0,3 A; (7,5 VA)	
RS-485	4 – 20 mA	
		200 Ω
	24 VDC max. load 50 mA	



GAS ALARM SYSTEMS

ADT-23-34XX-X-XXXXXXXXXX

1XXXXXXXXX			
X1XXXXXXXX			
XX1XXXXXXXX			
XXXX1XXXXX	RS- 485		DGC-05
XXXX2XXXXX	RS- 485	ModBUS	
XXXX3XXXXX	RS- 485		
XXXXX1XXX		\	
XXXXX2XXX			
XXXXX3XXX		\	
XXXXX4XXX			
XXXXXX1XX	LCD		
XXXXXXX1X	4 – 20 mA		
XXXXXXXXX1			0 - 100 % LEL

A
B
2
5

00	Methane	CH ₄
08	Ammonia	NH ₃
10	Ethylene	C ₂ H ₄
25	Ethyl alcohol	C ₂ H ₅ OH
27	Ethyl acetate	CH ₃ COOC ₂ H ₅
30	Benzene	C ₆ H ₆
35	n-Hexane	C ₆ H ₁₄
40	Hydrogen	H ₂
45	Iso propanol alcohol	(CH ₃) ₂ CHOH
50	Methanol	CH ₃ OH
58	Methyl ethyl ketone	C ₄ H ₈ O
60	n-Butane	C ₄ H ₁₀
70	n-Octane	C ₈ H ₁₈
75	n-Pentane	C ₅ H ₁₂
80	Propane (LPG)	C ₃ H ₈
85	Acetone	(CH ₃) ₂ CO
90	Toluene	C ₇ H ₈
91	n-Heptane	C ₇ H ₁₆
98	JP8	

: Ex

0- 100 % LEL.

: ADT-23-3480-5-000001001

