



# GAS ALARM SYSTEMS

		( 0 )	
	:-	0 – 300 ppm	
	-	50 – 1000 ppm ( )	
		± 10 %	
		10 – 90 % RH non-condensing	
		5 °C to 30 °C (41 °F to 86 °F)	
		6	
		1,5 to 1,8 m (5 – 6 ft.)	
		465 m <sup>2</sup> , (5,000 sq.ft.), to 930 m <sup>2</sup> (10,000 sq.ft.) “	
		”	
		± 2 ppm	
		± 1 % of reading	
		< 5%	
		t90 30 s	
		3	
	:	10 – 95 % RH non-condensing	
	:	-10 °C to + 50 °C (14 °F to 122 °F)	
	*	(ppm)	(ppm)
Chlorine, Cl <sub>2</sub>		1	0
Ethanol, C <sub>2</sub> H <sub>5</sub> OH		200	0
Ethylene, C <sub>2</sub> H <sub>4</sub>		100	< 100
Hydrogen, H <sub>2</sub>		100	< 60
Hydrogen Sulphide, H <sub>2</sub> S		15	< 0.30
Hydrogen Chloride, HCl		5	0
Hydrogen Cyanide, HCN		10	< 2
Nitric oxide, NO		35	< 7
Nitrogen dioxide, NO <sub>2</sub>		5	-1,0
Sulphur dioxide, SO <sub>2</sub>		5	0

\* Другие газы также могут влиять на чувствительность. Указанные данные о кросс-чувствительности действительны только для новых датчиков

		18- 28 VDC/AC, ( )
		22 mA, max. (0,6 VA)
	:	(0) 4 – 20 mA, load ≤ 500 Ω,
	/	(0) 2 - 10 V, load 50 k Ω
	0 / 20 %	,
		RS 485 / 19200 Baud (9600 at Mod_Bus)
	A*	
	/ *	UL 94 V2/ RAL 7032 ( - )
(W x H x D)		94 x 130 x 57 mm (3.7 x 5.12 x 2.24 inch.)
		0.5 kg (1.1 lbs.)
	/	IP 65/
		1 x M 20
		, min. 0.25 mm <sup>2</sup> (24 AWG) max. 2.5 mm <sup>2</sup> (14 AWG)
		: ca. 500 m (1500 ft)
		: ca. 200 m (600 ft.)
		VDI 2053
		EMC Directive 89/336/EEC,
		1 ( )



## GAS ALARM SYSTEMS

Alarm relay 1	30 VAC/DC, 0,5 A, potential-free, SPDT		
Alarm relay 2	30 VAC/DC, 0,5 A, potential-free, SPNO/SPNC 30 mA, (max 0,8 VA)		
	\	85 dB (	300 mm) (1 ft)/ 3,5 kHz
		30 mA, (max 0,8 VA)	
<b>LCD</b>			
LCD/	2	16	/ 10 mA, (max 0,3 VA)
		3 °C ±2°C (37.5 °F ± 3,6 °F)	
		- 40 °C (- 40 °F)	
	/	18 - 28 VDC/AC/ 0,3 A; 7,5 VA	
RS-485	4 – 20 mA		200 Ω
	24 VDC max. 50 mA		

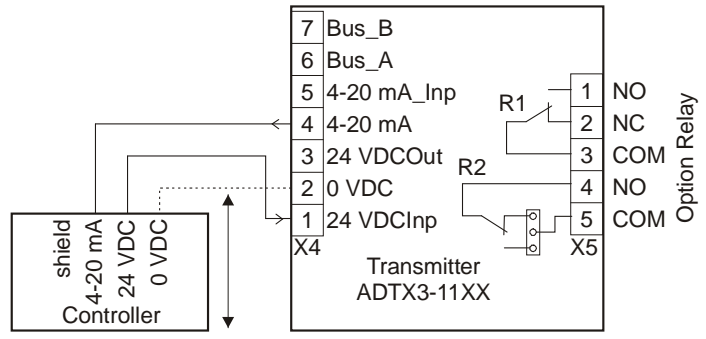
# GAS ALARM SYSTEMS

**ADT-13-1110-X-XXXXXXXXXX**

1XXXXXXXXX			
X1XXXXXXXX			
XX1XXXXXXX			
XXXX1XXXXX	RS- 485		DGC-05
XXXX2XXXXX	RS- 485	ModBUS	
XXXX3XXXXX	RS- 485		
XXXXX1XXX			
XXXXX2XXX			
XXXXX3XXX			
XXXXX4XXX			
XXXXXX1XX	LCD		
XXXXXXX1X	4 – 20 mA		
XXXXXXXXX1			0 - 300ppm
XXXXXXXXX2			0 - 150ppm
XXXXXXXXX3			0 - 200ppm
XXXXXXXXX4			0 - 100 ppm
XXXXXXXXX5			0 - 50 ppm
XXXXXXXXX6			0 - 400 ppm
XXXXXXXXX7			0 - 500 ppm
XXXXXXXXX8			0 - 1000 ppm
XXXXXXXXXA			0 - 250 ppm

A  
B  
2  
5

: , ADT13-1110, 0 - 300 ppm  
: ADT-13-1110-5-XXXXX1XX1



0 VDC: Two wire mode only with 4 to 20 mA Output signal

