

# PolyGard<sup>®</sup> Carbon Monoxide CO Transmitter ADT-D3 1110

O ADT-D3

RS-485 (0) 4 - 20 . 2 (0) 2 - 10 5 CO ADT-D3 -



CO

RS-485

O ADT-D3  
PolyGard gas controller,



- 
- 
- 
- 
- 
- 
- 
- 
- 
- 
- 
- 
- 
- 
- 
- 
- 
- 
- 
- 
- 
- 
- 

(NDIR)

>5

plug-in

(0) 4 - 20 / (0) 2 - 10

RS-485  
UL 94V2

IP65  
>10

RS-485 ( ) ( )  
( ) ( )  
( ) ( )



# GAS ALARM SYSTEMS

- - ( )
- ( )
- ( ) ( )

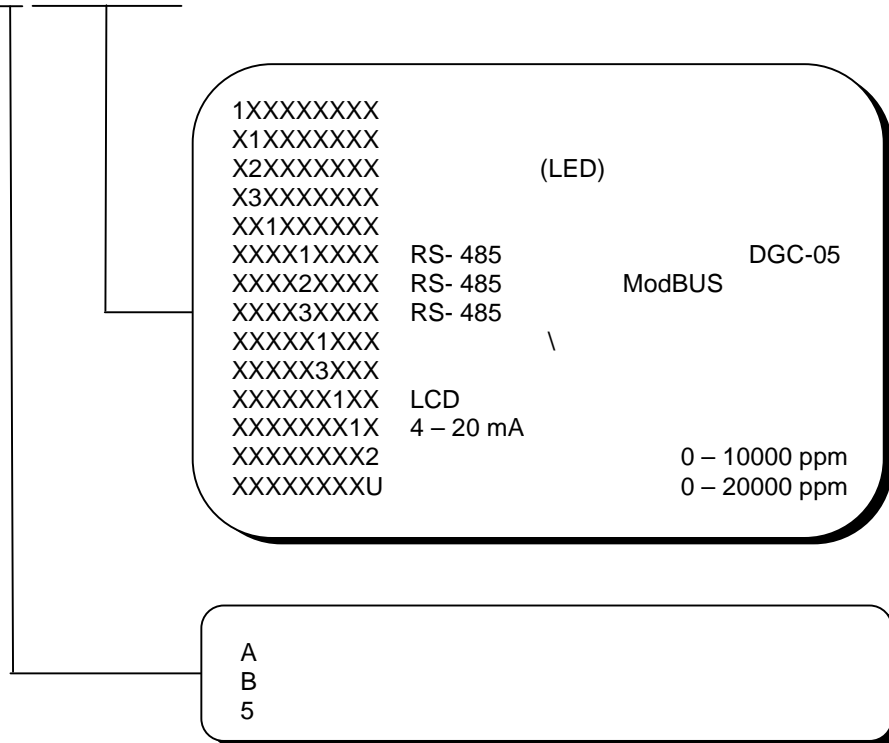
	Carbon monoxide (CO)
	(NDIR)
	0- 10000 ppm and 0- 20000 ppm
	< 2 %
	< 2 %
	t <sub>90</sub> < 30 sec
	100 ppm
	-10 °C to + 70 °C (14 °F to 158 °F)
	< 2 %
	< 2 %
	800 -1100 hPa
	0 – 95 % RH non-condensing
	> 10 years
	> 5 years
	0 °C to 70 °C (32 °F to 158 °F)
	Max. 6
	18 - 28 VDC/AC, ( )
, ( )	45 mA, max. (1,1 VA)
	(0) 4 – 20 mA, load ≤ 500 Ω,
: /	(0) 2 - 10 V, load 50 k Ω
0 / 20 %	,
	RS 485 / 19200 Baud (9600 at Mod_Bus)
	A*
	UL 94 V2
*	RAL 7032 (light grey)
(W x H x D)	94 x 130 x 57 mm (3.7 x 5.12 x 2.24 inch.)
	0.5 kg (1.1 lbs.)
	IP 65
	1 x M 20
	, min. 0.25 mm <sup>2</sup> (24 AWG) max. 2.5 mm <sup>2</sup> (14 AWG)
	: ca. 500 m (1500 ft)
	: ca. 200 m (600 ft.)
	EMC Directive 2004 / 108 / EEC
	CE
	1 ( )
Alarm relay 1	30 VAC/DC, 0,5 A, potential-free, SPDT
Alarm relay 2	30 VAC/DC, 0,5 A, potential-free, SPNO/SPNC
	30 mA, (max 0,8 VA)
	85 dB ( 300 mm) (1 ft)
	3,5 kHz
	30 mA, (max 0,8 VA)



# GAS ALARM SYSTEMS

<b>LCD</b>		
LCD	2                      16	
	10 mA, (max 0,3 VA)	
	3 °C ±2° C (37.5 °F ± 3,6 °F)	
	- 40 °C (- 40 °F)	
	0,3 A; 7,5 VA	
RS-485	4 – 20 mA	200 Ω
	24 VDC max. charge 50 mA	

**ADT-D3-1110-X-XXXXXXXXX**



:                      ,                      ,                      ,                      ,

0 - 10000 ppm

**: ADT-D3-1110-5-XXXXX1XXT**

# GAS ALARM SYSTEMS

C

