

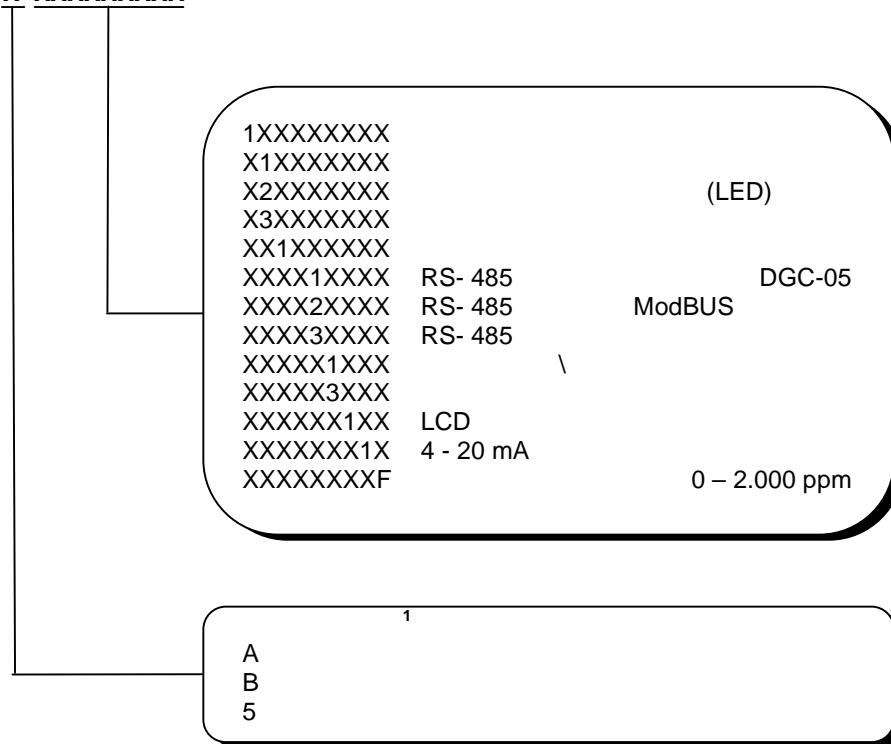
GAS ALARM SYSTEMS

	(C ₂ H ₄)	(NDIR)
	0- 2.000 ppm	
	< 4 %	
	< 4 %	
	t ₉₀ < 30	
	10 ppm	
	-10 °C + 50 °C (14 °F 122 °F)	
	< 2 %	/
	< 3 %	/
	800 -1100 hPa	
	0 – 95 % RH	
	> 10	
	> 5	
	0 °C 50 °C (32 °F 122 °F)	
	. 6	
	18 - 28 VDC/AC, ()	
	45 mA, max. (1,1 VA)	
	(0) 4 – 20 mA, load ≤ 500 Ω,	
	(0) 2 - 10 V, load 50 k Ω	
	0 / 20 %	
	RS 485 / 19200 Baud (9600 at Mod_Bus)	
	A*	
	UL 94 V2	
	RAL 7032 (-)	
(W x H x D)	94 x 130 x 57 mm (3.7 x 5.12 x 2.24 inch.)	
	0.5 kg (1.1 lbs.)	
	IP 65	
	1 x M 20	
	, min. 0.25 mm ² (24 AWG) max. 2.5 mm ²	
	(14 AWG)	
	: 500 m (1500 ft)	
	: 200 m (600 ft.)	
	EMC Directive 2004 / 108 / EEC	
	CE	
	1 ()	
1	30 VAC/DC, 0,5 A, potential-free, SPDT	
2	30 VAC/DC, 0,5 A, potential-free, SPNO/SPNC	
	30 mA, (max 0,8 VA)	
	85 dB (300 mm) (1 ft)	
	3,5 kHz	
	30 mA, (max 0,8 VA)	

GAS ALARM SYSTEMS

LCD		
LCD	2 , 16	
	10 mA, (max 0,3 VA)	
	3 °C ±2° C (37.5 °F ± 3,6 °F)	
	- 40 °C (- 40 °F)	
	0,3 A; 7,5 VA	
RS-485	4 – 20 mA	200 Ω
	24 VDC max., 50 mA	

ADT-D3-1189-X-XXXXXXXXX



1 „PolyGard AT/DT” 1

0 – 2.000 ppm

: **ADT-D3-1189-5-XXXXX1XXF**

GAS ALARM SYSTEMS

