

## PolyGard<sup>®</sup> Silane SiH<sub>4</sub> Transmitter ADT53 1188

ADT-53

, ,

SiH<sub>4</sub> ADT-53  
(0) 4 - 20 (0) 2 - 10  
- , RS-  
485 . 2



SiH<sub>4</sub>

RS-485      SiH<sub>4</sub> ADT-53  
PolyGard Gas Controller,



- 
- 
- 
- 
- 
- 
- 
- 
- 
- 
- 
- 
- 
- 
- 
- 
- 
- 
- 
- 

plug-in

(0) 4 - 20 / (0) 2 - 10

RS-485

IP65

RS-485 ( ) ( )

4 - 20 ( ) ( )

- ( ( ) )  
( ( ) )

( ) ( )

# GAS ALARM SYSTEMS

<b>Silane (SiH<sub>4</sub>)</b>		
	0 - 50 ppm	
	± 10 %	
	15 – 90 % RH non-condensing	
	5 °C to 30 °C (41 °F to 86 °F)	
	Max. 6	
	0,8 m (2.5 ft.)	
	0,2 ppm	
	< 2 % of reading	
	< 2%	
	t <sub>90</sub> < 60 sec.	
	> 2	
	-10 °C to + 45 °C (14 °F to 113 °F)	
*	(ppm)	(ppm SiH <sub>4</sub> )
Carbon monoxide; CO	200	0
Phosphine, PH <sub>3</sub>	2	2
Sulphur dioxide, SO <sub>2</sub>	5	1
Hydrogen sulphide, H <sub>2</sub> S	5	8
Hydrogen, H <sub>2</sub>	200	0
	18 - 28 VDC/AC,	
( )	22 mA, max. (0,6 VA)	
	(0) 4 – 20 mA, load ≤ 500 Ω,	
/	(0) 2 - 10 V; load 50 k Ω	
0 / 20 %		
	RS 485 / 19200 Baud (9600 at Mod_Bus)	
A*		
	UL 94 V2	
*	RAL 7032 ( )	
(W x H x D)	94 x 130 x 57 mm (3.7 x 5.12 x 2.24 inch.)	
	0.5 kg (1.1 lbs.)	
	IP 65	
	1 x M 20	
	, min. 0.25 mm <sup>2</sup> (24 AWG) max. 2.5 mm <sup>2</sup> (14 AWG)	
	: ca. 500 m (1500 ft)	
	: ca. 200 m (600 ft.)	
	EMC Directive 2004 / 108 / EEC, CE	
	1 ( )	

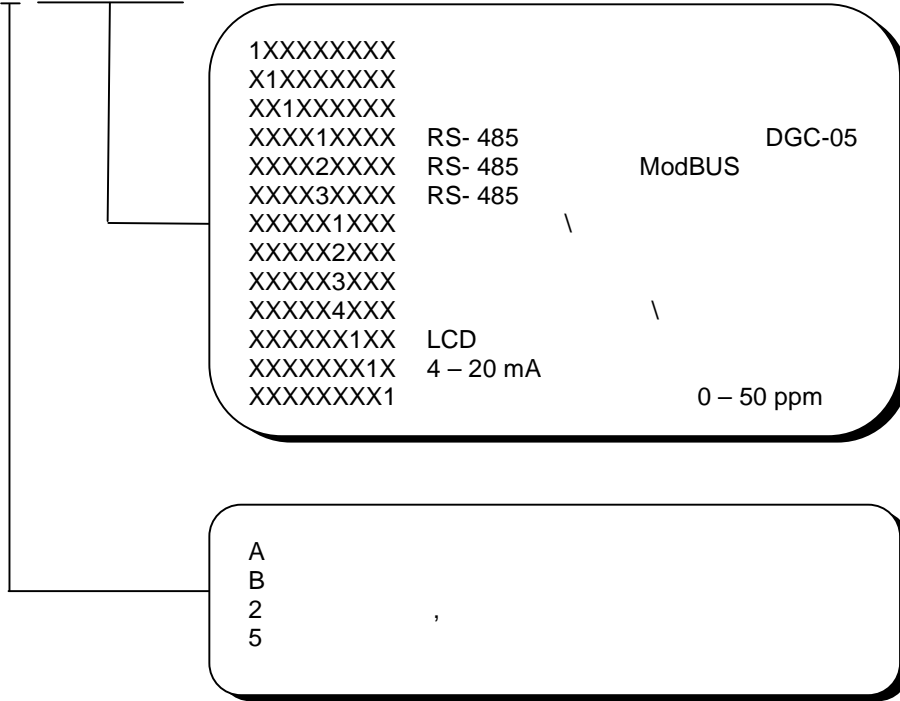
<sup>1</sup> \*Другие газы также могут влиять на чувствительность. Указанные данные о кросс-чувствительности действительны только для новых датчиков

## GAS ALARM SYSTEMS

Alarm relay 1	30 VAC/DC 0,5 A, potential-free, SPDT
Alarm relay 2	30 VAC/DC 0,5 A, potential-free, SPNO/SPNC 30 mA, max. 0,8 VA
	85 dB ( 300 mm) (1 ft.) 3,5 kHz 30 mA, max. 0,8 VA
<b>LCD</b>	
LCD	2 16 10 mA, max. 0,3 VA
	3 °C ±2°C (37,4 °F ± 3,6 °F) - 40 °C (-40 °F) 18 - 28 VDC/AC 0,3 A; 7,5 VA
RS-485	4 – 20 mA 24 VDC max. load 50 mA 200 Ω

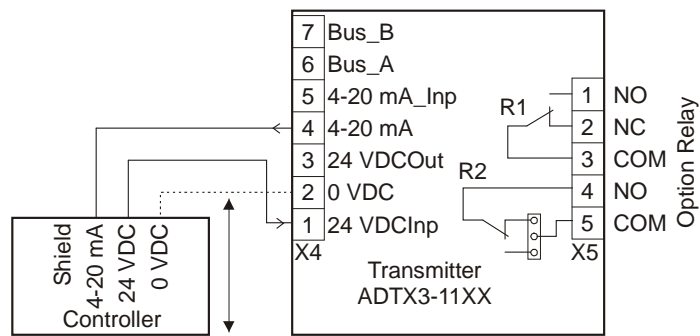
# GAS ALARM SYSTEMS

**ADT-53-1188-X-XXXXXXXXXX**



0- 50 ppm

**: ADT-53-1188-5-XXXXX1XX5**



0 VDC: Two-wire operation only with 4- 20 mA output signal!