

# PolyGard® Transmitter ADTE3 3482 for NF<sub>3</sub> gases

ADT-E3

(0) 2 - 10

RS-485

ADT-E3  
(0) 4 - 20 . 2



ADT-E3

PolyGard

MGC DGC,



- 
- 
- 
- 
- 
- 
- 
- 
- 
- 
- 
- 
- 
- 
- 
- 
- 
- 
- 
- 

plug-in

(0) 4 - 20 / (0) 2 - 10

RS-485

IP65

RS-485 ( ) ( )  
( ) ( )  
( ) ( )  
( ) ( )  
( ) ( )

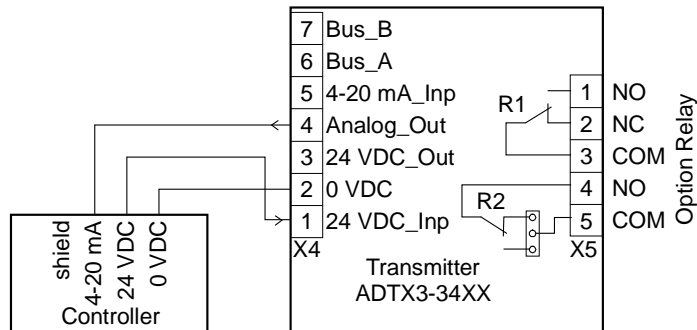


# GAS ALARM SYSTEMS

	NF <sub>3</sub>
	5 – 50 ppm
	± 5 %
	< ± 6 % /
	< ± 5 % /
	t <sub>90</sub> ≤ 70
	5
	- 10 °C + 40 °C (14 °F 104 °F)
	≤ 3 %
	0 – 90 % RH -
	± 20 %
	5 °C 30 °C (41 °F 86 °F)
	. 6
	0.3 m (1ft.)
	16 - 28 VDC/AC, ( )
, ( )	50 mA, (1.20 VA)
	(0) 4 – 20 mA, load ≤ 500 Ω
: /	(0) 2 - 10 V; load 50 k Ω
0 / 20 %	,
	RS 485 / 19200 Baud (9600 for Mod-Bus)
	A*
	UL 94 V2
*	RAL 7032 ( - )
(W x H x D)	94 x 130 x 57 mm (3.7 x 5.12 x 2.24 inch.)
	0.5 kg (1.1 lbs.)
	IP 65
	1 x M 20
	, min. 0.25 mm <sup>2</sup> (24 AWG) max. 2.5 mm <sup>2</sup> (14 AWG)
	: ca. 500 m (1500 ft)
	: ca. 200 m (600 ft.)
	EMC Directive 2004 / 108 / EEC
	CE
	1 ( )

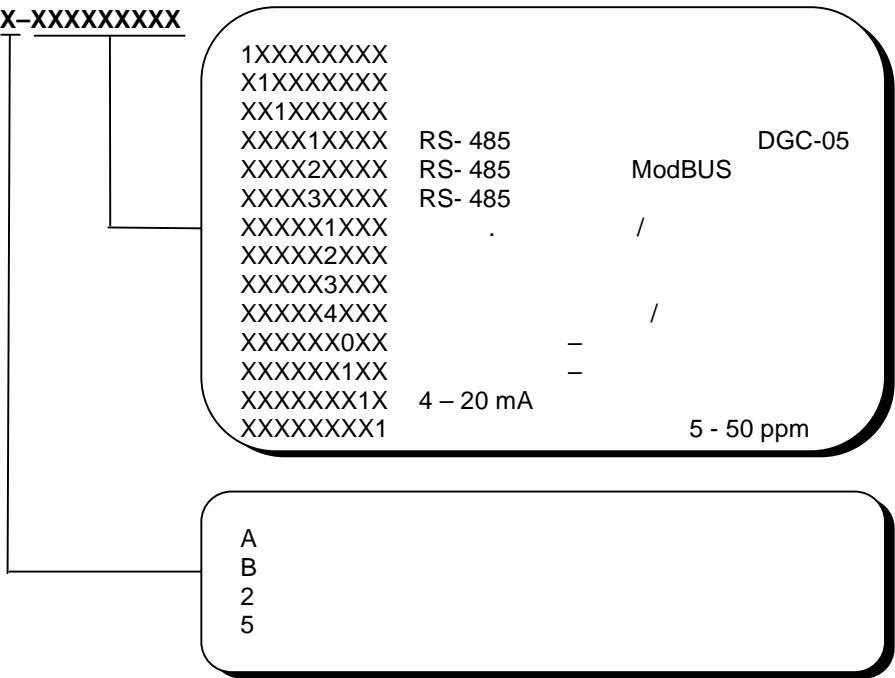
# GAS ALARM SYSTEMS

	1	30 VAC/DC 0,5 A, potential-free, SPDT	
	2	30 VAC/DC 0,5 A, potential-free, SPNO/SPNC	
		30 mA, max. (0,8 VA)	
		83 dB ( 200 mm) (0.7 ft.)	
		2,35 kHz	
		30 mA, max. (0.8 VA)	
<b>LCD</b>			
LCD	2	, 16	
		10 mA, max. (0.3 VA)	
		3 °C ±2°C (37.4°F ± 3.6°F)	
		- 40 °C (-40°F)	
		18 - 28 VDC/AC	
		0.3 A; (7.5 VA)	
RS-485	4 – 20 mA		200 Ω
		24 VDC, 50 mA	



# GAS ALARM SYSTEMS

**ADT-E3-3482-X-XXXXXXXX**



1 „PolyGard AT/DT ”

: NF<sub>3</sub> ,  
5 – 50 ppm.

**Ordering number: ADT-E3-3482-A-000002X01**