



# GAS ALARM SYSTEMS

		Sulphur dioxide (SO <sub>2</sub> )	
:		0 – 10 ppm ( ) 0 – 20 ppm ( )	
		-10 °C to + 45 °C (14 °F to 113°F) ± 15 %	
		15 – 90 % RH non-condensing 5 °C to 30 °C (41 °F to 86 °F)	
		Max. 3	
		0,2 m (0,7 ft.)	
		0,2 ppm	
		< 2 % of reading	
		< 2%	
		t <sub>90</sub> ≤ 20 s	
		> 2	
	*	(ppm)	(ppm)
	Carbon monoxide, CO	100	< 1
	Ethylene, C <sub>2</sub> H <sub>4</sub>	100	0
	Hydrogen, H <sub>2</sub>	100	< 1
	Nitrogen dioxide, NO <sub>2</sub>	100	~ - 125
	Nitric oxide, NO	100	0
	Hydrogen sulphide, H <sub>2</sub> S	10	0
		18 - 28 VDC/AC, ( 2- )	VDC)
	( )	22 mA, max. (0,6 VA) 12 mA, max. (0,3 VA)	
:	/	(0) 4 – 20 mA, load ≤ 500 Ω, (0) 2 – 10 V, load 50 k Ω	
	0 / 20 %		
		RS 485 / 19200 Baud (9600 at Mod_Bus)	
	A*		
		UL 94 V2	
	*	RAL 7032 ( )	
	(W x H x D)	94 x 130 x 57 mm (3.7 x 5.12 x 2.24 inch.) 0.5 kg (1.1 lbs.)	
		IP 65	
		1 x M 20	
		, min. 0.25 mm <sup>2</sup> (24 AWG) max. 2.5 mm <sup>2</sup> (14 AWG)	
		: ca. 500 m (1500 ft.) : ca. 200 m (600 ft.)	



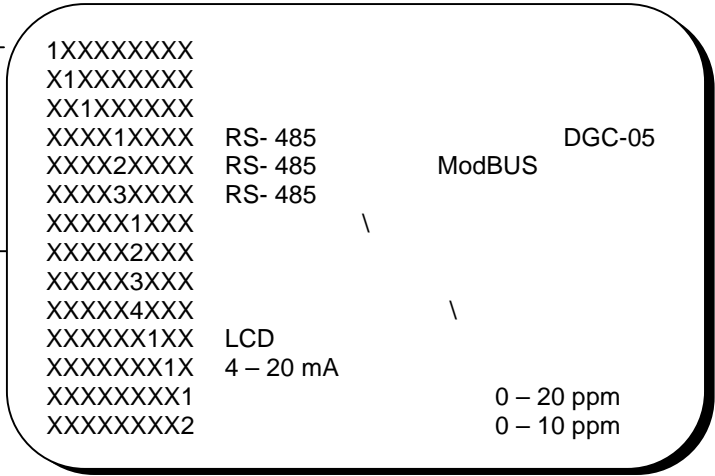
# GAS ALARM SYSTEMS

	EMC Directive 2004 / 108 / EEC
	CE
	1 ( )
Alarm relay 1	30 VAC/DC, 0,5 A, potential-free, SPDT
Alarm relay 2	30 VAC/DC, 0,5 A, potential-free, SPNO/SPNC
	30 mA, (max 0,8 VA)
	85 dB ( 300 mm) (1 ft)
	3,5 kHz
	30 mA, (max 0,8 VA)
<b>LCD</b>	
LCD	2 16
	10 mA, (max 0,3 VA)
	3 °C ±2°C (37.4 °F ± 3,6 °F)
	- 30 °C (- 22 °F)
	18 - 28 VDC/AC
	0,3 A; 7,5 VA
RS-485	4 – 20 mA
	200 Ω
	24 VDC, max. 50 mA

\*Другие газы также могут влиять на чувствительность. Указанные данные о кросс-чувствительности действительны только для новых датчиков

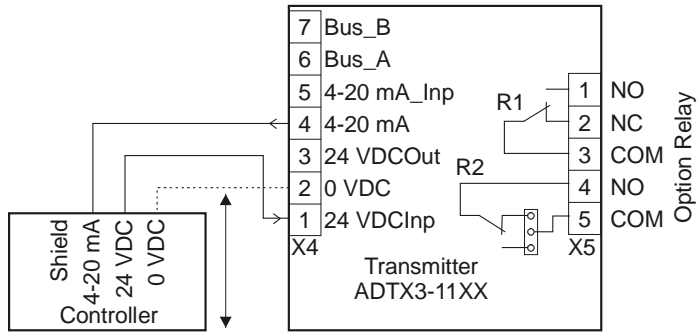
# GAS ALARM SYSTEMS

**ADT-53-1196-X-XXXXXXXXXX**



0- 20 ppm

**: ADT-53-1196-5-XXXXX1XX1**



0 VDC: Only with options