

# PolyGard® Transmitter for Combustible Gases ADT-D3 34XX

ADT-D3 -

ADT-D3 (0) 4 - 20 (0) 2 - 10 RS-85

2



RS-485 ADT-53 PolyGard MSR-E,



- (NDIR).
- >10
- >5
- (0) 4 - 20 / (0) 2 - 10
- IP65
- plug-in
- RS-485
- RS-485 ( ) ( )
- 4 - 20 ( ) ( )
- ( )

# GAS ALARM SYSTEMS

- - ( )
- ( )
- ( )

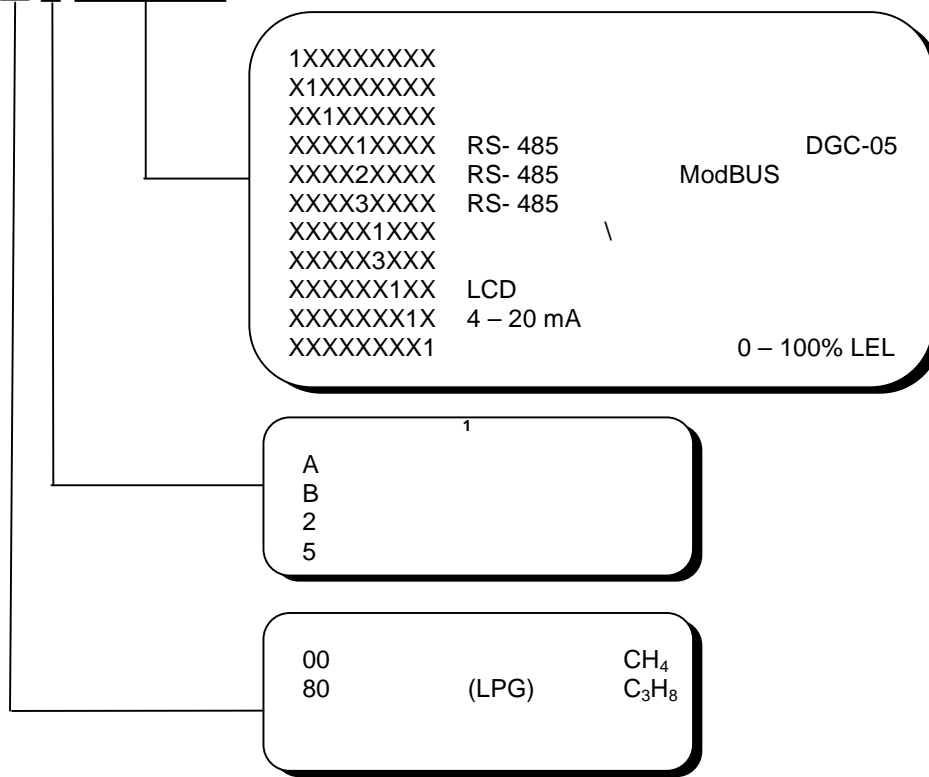
			(NDIR)
		0 – 100% LEL	
		<2%	
		<2%	
		t <sub>90</sub> < 30	
		1%	
		-10 °C to + 40 °C (14 °F to 104 °F)	
		<2%	/
		<3%	/
		800 -1100 hPa	
		0 – 95 % RH	
		> 10	
		> 5	
		0 °C to 50 °C (32 °F to 122 °F)	
		. 6	
		18 - 28 VDC/AC, ( )	
	( )	45 mA, max. (1,1 VA)	
		(0) 4 – 20 mA, load ≤ 500 Ω,	
	/	(0) 2 - 10 V, load 50 k Ω	
	0 / 20 %		
		RS 485 / 19200 Baud (9600 at Mod_Bus)	
	A*		
		UL 94 V2	
	*	RAL 7032 ( - )	
(W x H x D)		94 x 130 x 57 mm (3.7 x 5.12 x 2.24 inch.)	
		0.5 kg (1.1 lbs.)	
		IP 65	
		Standard 1 x M 20	
		, min. 0.25 mm <sup>2</sup> (24 AWG) max. 2.5 mm <sup>2</sup>	
		(14 AWG)	
		: ca. 500 m (1500 ft)	
		: ca. 200 m (600 ft.)	
		EMC Directive 2004 / 108 / EEC	
		CE	
		1 ( )	
	1	30 VAC/DC, 0,5 A, potential-free, SPDT	
	2	30 VAC/DC, 0,5 A, potential-free, SPNO/SPNC	
		30 mA, (max 0,8 VA)	



# GAS ALARM SYSTEMS

	85 dB ( 300 mm) (1 ft)	
	3,5 kHz	
	30 mA, (max 0,8 VA)	
<b>LCD</b>		
LCD	2 , 16	
	10 mA, (max 0,3 VA)	
	3 °C ±2°C (37.5 °F ± 3,6 °F)	
	- 40 °C (- 40 °F)	
	0,3 A; 7,5 VA	
RS-485	4 – 20 mA	200 Ω
	24 VDC, max. 50 mA	

**ADT-D3-34XX-X-XXXXXXXX1**



1 „PolyGard AT/DT”

0 - 100% LEL  
 ∴ **ADT-D3-3400-5-000011011**

# GAS ALARM SYSTEMS

