



# GAS ALARM SYSTEMS

- ( )
- ( )
- - ( )
- ( )
- ( ) ( )

	20 - 300 ppm/ 20 - 2000 ppm
	± 20 %
	t <sub>90</sub> < 40 sec.
	21 % ( ) 18 % min
	5 – 95 % RH non-condensing
:	-10 °C to 50 °C (14 °F to 122 °F)
:	0 °C to 50 °C (32 °F to 122 °F)
	800 – 1100 hPa
	Max. 12
	> 5
	16 - 28 VDC/AC, ( )
,	( )
	60 mA, max. (1,45 VA)
:	(0) 4 – 20 mA, load ≤ 500 Ω,
/	(0) 2 - 10 V, load 50 k Ω
	0 / 20 %
	RS 485 / 19200 Baud (9600 at Mod_Bus)
	A*
	UL 94 V2
*	RAL 7032 (light grey)
(W x H x D)	94 x 130 x 57 mm (3.7 x 5.12 x 2.24 inch.)
	0.5 kg (1.1 lbs.)
	IP 65
	1 x M 20
	, min. 0.25 mm <sup>2</sup> (24 AWG) max. 2.5 mm <sup>2</sup> (14 AWG)
	: ca. 500 m (1500 ft)
	: ca. 200 m (600 ft.)
	EMC Directive 89/336/EEC
	CE
	1 ( )
Alarm relay 1	30 VAC/DC, 0,5 A, potential-free, SPDT
Alarm relay 2	30 VAC/DC, 0,5 A, potential-free, SPNO/SPNC
	30 mA, (max 0,8 VA)
	85 dB (distance 300 mm) (1 ft)

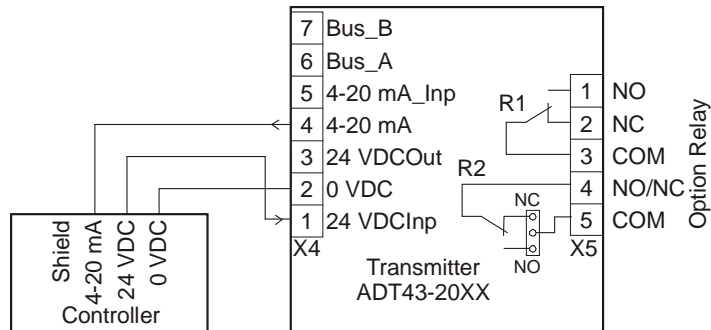


# GAS ALARM SYSTEMS

	3,5 kHz	
	30 mA, (max 0,8 VA)	
<b>LCD</b>		
LCD	2            16	
	10 mA, (max 0,3 VA)	
	3 °C ±2°C (37.5 °F ± 3,6 °F)	
	- 40 °C (- 40 °F)	
	0,3 A; 7,5 VA	
RS-485	4 – 20 mA	200 Ω
	24 VDC max. charge 50 mA	

*			
( =1)			
R 22	HCFC	2000 ppm	3
R 401a	HCFC	2000 ppm	> air
R 401b	HCFC	2000 ppm	> air
R 402a	HCFC	2000 ppm	> air
R 402b	HCFC	2000 ppm	> air
R 408a	HCFC	2000 ppm	> air
R 409a	HCFC	2000 ppm	> air
R 123	HCFC	2000 ppm	> air
R 134a	HFC	300 ppm / 2000 ppm	> 1
R 404a	HFC	300 ppm / 2000 ppm	3,45
R 416a	HFC	300 ppm / 2000 ppm	> air
R 507	HFC	300 ppm / 2000 ppm	3,45
R 410a	HFC	300 ppm / 2000 ppm	2,3
R 411a	HFC	300 ppm / 2000 ppm	> air

\*



# GAS ALARM SYSTEMS

ADT-43-20XX-X-XXXXXXXXX

1XXXXXXXXX			
X1XXXXXXXX			
XX1XXXXXXX			
XXXX1XXXX	RS- 485		DGC-05
XXXX2XXXX	RS- 485	ModBUS	
XXXX3XXXX	RS- 485		
XXXXX1XXX			
XXXXX2XXX			
XXXXX3XXX			
XXXXX4XXX			
XXXXXX1XX	LCD		
XXXXXXX1X	4 – 20 mA		
XXXXXXXXX1			20 - 300 ppm
XXXXXXXXX2			20 - 2000 ppm

A  
B  
5

2070	R 22
2071	R 401a
2072	R 401b
2073	R 402a
2074	R 402b
2075	R 408a
2076	R 409a
2077	R 134a
2078	R 404a
2079	R 416a
2069	R 507
2068	R 410a
2067	R 411a
2064	R 123

1 „PolyGard AT/DT ”

: , R134a, 20 - 2000 ppm

: ADT-43-2077-5-XXXXX1XX2