

GAS ALARM SYSTEMS

(O)

0 – 300 ppm ()

50 – 2000 ppm ()

-10 °C to + 45 °C (14 °F to 113°F)

± 10 %

15 – 90 % RH non-condensing

5 °C to 30 °C (41 °F to 86

°F)

6

1,5-1,8 m

465 m², (5,000 sq.ft.), to 930 m² (10,000 sq.ft.)

“ideal conditions” assumed

ADT03-1110

± 3 ppm

± 3 % of reading

< 5%

t90 50 s

5

: 0 – 95 % RH

: -10 °C to + 50 °C (14 °F to 122 °F)

: -20 °C to + 50 °C (-4 °F to 122 °F)

*

(ppm)

(ppm)

Acetone, C3H6O	1000	0
Acetylene, C2H2	40	80
Ammonia, NH3	100	0
Carbon dioxide, CO2	5000	0
Chlorine, Cl2	2	0
Ethanol, C2H5OH	2000	5
Hydrogen, H2	100	20
Hydrogen Sulphide, H2S	25	0
Iso Propanol, C3H8O	200	0
Nitric oxide, NO	50	8
Nitrogen dioxide, NO2	50	-1,0
Sulphur dioxide, SO2	50	< 0,5

ADT53-1110

± 1 ppm

± 2 % of reading

< 2%

t90 40 s

3

: -20 °C to + 45 °C (14 °F to 113 °F)

: -20 °C to + 50 °C (-4 °F to 122 °F)

(ppm)

(ppm)

Sulphur dioxide, SO2	50	0
Hydrogen Sulphide, H2S	25	0
Nitrogen dioxide, NO2	50	0
Nitric oxide, NO	50	0
Hydrogen, H2	100	< 60

*Другие газы также могут влиять на чувствительность. Указанные данные о кросс-чувствительности действительны только для новых датчиков



GAS ALARM SYSTEMS

	18 - 28 VDC/AC, (защита от обратного подключения)
, ()	22 mA, max. (0,6 VA)
: /	(0) 4 – 20 mA, load \leq 500 Ω , (0) 2 - 10 V, load 50 k Ω
0 / 20 %	,
	RS 485 / 19200 Baud (9600 at Mod_Bus)
A*	
/ *	UL 94 V2/ RAL 7032 ()
(W x H x D)	94 x 130 x 57 mm (3.7 x 5.12 x 2.24 inch.) 0.5 kg (1.1 lbs.)
/	IP 65/
	1 x M 20
	, min. 0.25 mm ² (24 AWG) max. 2.5 mm ² (14 AWG)
	: ca. 500 m (1500 ft)
	: ca. 200 m (600 ft.)
	VDI 2053
	EMC Directive 89/336/EEC
	CE
	1 ()
Alarm relay 1	30 VAC/DC, 0,5 A, potential-free, SPDT
Alarm relay 2	30 VAC/DC, 0,5 A, potential-free, SPNO/SPNC
	30 mA, (max 0,8 VA)
\	85 dB (distance 300 mm) (1 ft)/ 3,5 kHz
	30 mA, (max 0,8 VA)
LCD	
LCD/	2 16 / 10 mA, (max 0,3 VA)
	3 °C \pm 2°C (37.5 °F \pm 3,6 °F)
	- 40 °C (- 40 °F)
/	18 - 28 VDC/AC/ 0,3 A; 7,5 VA
RS-485	4 – 20 mA
	200 Ω
	24 VDC max. 50 mA

*имеются также другие типы корпуса.

GAS ALARM SYSTEMS

ADT-03-1110-X-XXXXXXXXXX

- 1XXXXXXXXX
- X1XXXXXXXX
- XX1XXXXXXXX
- XXXX1XXXX RS- 485
- XXXX2XXXX RS- 485
- XXXX3XXXX RS- 485
- XXXXX1XXX
- XXXXX2XXX
- XXXXX3XXX
- XXXXX4XXX
- XXXXXX1XX LCD
- XXXXXXX1X 4 - 20 mA
- XXXXXXXXX1
- XXXXXXXXX2
- XXXXXXXXX3
- XXXXXXXXX4
- XXXXXXXXX5
- XXXXXXXXX6
- XXXXXXXXX7
- XXXXXXXXX8
- XXXXXXXXX9
- XXXXXXXXXA

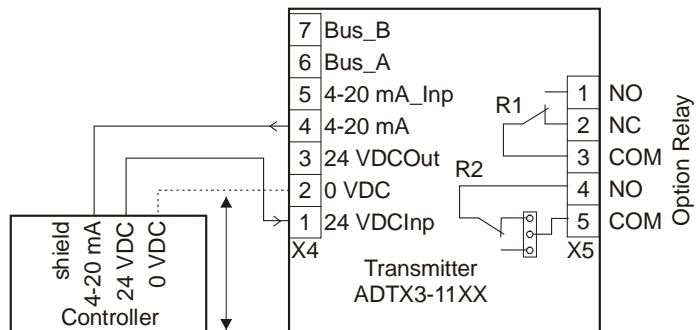
ModBUS DGC-05

- 0 - 300ppm
- 0 - 150ppm
- 0 - 200ppm
- 0 - 100 ppm
- 0 - 50 ppm
- 0 - 400 ppm
- 0 - 500 ppm
- 0 - 1000 ppm
- 0 - 2000 ppm
- 0 - 250 ppm

- A
- B
- 2
- 5

- 0 ADT03-1110
- 5 ADT53-1110

: ADT03-1110, , tool mode,
 0 - 300 ppm
 : **ADT-03-1110-5-XXXXX1XX1**



0 VDC: Two wire mode only with 4 to 20 mA Output signal

