

# PD15 PROGRAMMER FOR N15, N15Z and N17Z DIGITAL METER SERIES



## 1. APPLICATION

The PD15 programmer is destined to program N15, N15Z and N17Z digital meter series in the windows 9x/2000/NT/XP environment.

The programmer enables:

- modification of meter parameters,
- meter re-calibration.

## 2. PD15 MAIN FEATURES

- programming of individual characteristics,
- setting of the decimal point,
- setting of the averaging time,
- selection of the sensor compensation mode,
- unit highlighting,
- meter re-calibration

## 3. DESCRIPTION OF THE PD15 PROGRAM

The PD15 program realises following function:

- **programming** - where it is possible to reprogram meter parameters,
- **calibration** - which makes possible the calibration of the meter.

The program start follows after clicking the PD15 program icon in the „LZAE LUMEL S.A.” group. After starting, the program works in the edition mode.

## 4. REQUIREMENTS

- Windows 9x/2000/NT/XP
- Ca 2 MB of empty place on the disk
- Minimum 4 MB RAM memory
- LPT port with the possibility of working in the SPP or EPP mode

## 5. SOFTWARE INSTALLATION

For a correct operation of the PD15 programmer, it is necessary to install the work of the LPT port in the SPP, EPP or EPP/ECP mode. The procedure is explained in the PD15 user's manual.

### Caution!

**In case of the LPT port working in the ECP mode or in case of some main plates in EPP/ECP mode, the PD15 programmer will not work correctly.**

One can modify the setting of the LPT port working mode in the computer BIOS, in the „**Integrated peripherals**” properties.

In order to install the PD15 program one must:

1. Introduce the installation diskette into the disk station, e.g. a:\
2. Click the start key on the windows task bar and choose **Start...**
3. Write the access path, e.g. **a:\setup.exe**

After starting the installation program, define the in-coming path , e.g. c:\Program Files\LZAE LUMEL S.A.\ Programmer PD15 and the working group, e.g. LZAE LUMEL S.A.

## 6. TECHNICAL DATA

<b>Galvanic isolation</b>	4000 V d.c.
<b>Rated operation conditions:</b>	
- supply voltage	collect from the meter
- ambient temperature	-20...23...60°C
- storage temperature	-20...+85 °C
- air relative humidity	< 95% (no condensation)
- working position	any
<b>Communication parameters:</b>	
- data transmission	through LPT link
<b>Assured protection degree</b>	IP 00
<b>Dimensions</b>	DB25 housing
<b>Wire length</b>	1.5 m.
<b>Electromagnetic compatibility:</b>	
- immunity	EN 61000-6-2
- emission	EN 61000-6-4
<b>Safety requirements</b>	acc. EN61010-1

## 7. PD15 PROGRAMMER CONNECTION TO THE METER

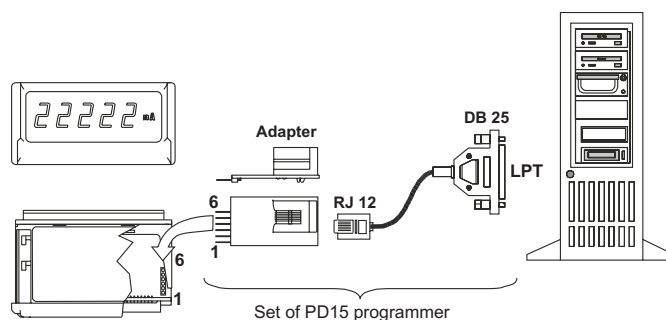


Fig. 1. Programmer connection to N15 and N15Z meter and computer

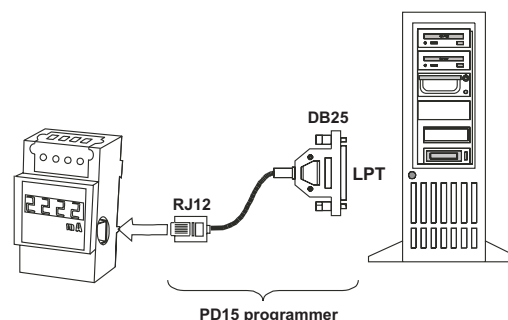


Fig. 2. Programmer connection to the N17Z meter and computer