

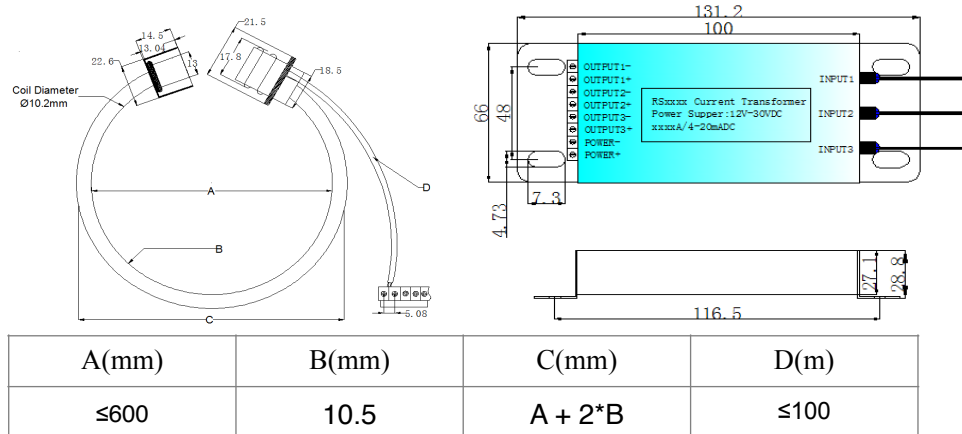
TTC-KR three Rogowski coil transducer(4-20mA/ 0-5Vdc) is designed according to the needs of the industry with a high precision,high security,low power consumption and other characteristics of the transducer.Can be used in various specifications of PLC,configuration software and other equipment connected.Widely used in metallurgy,electroplating and other fields.



Electrical data (Ta=25°C±5°C)

Current range(AC)	100-100K	Aac
Measure range	5% - 120%	%
Power frequency	45-65	Hz
Rated output	4 - 20mAdc	Vdc
Supply voltage	12/24V	V
Power Consumption	<35	mA
Offset drift	@ -25~+70°C	±1 mV/°C
Accuracy	≤1	%
Linearity	≤1	%FS
Response time	≤200	ms
Galvanic isolation	AC,1min	10 KV
Isolation resistance	@ DC 500V	1000 MΩ
Operating temperature	-25 to +70	°C
Storage temperature	-40 to +85	°C

Mechanical dimension(for reference only)



TTC-KR three Rogowski coil transducer

Custom made	10.0	Custom made	Custom made
-------------	------	-------------	-------------

使用说明 Directions for use

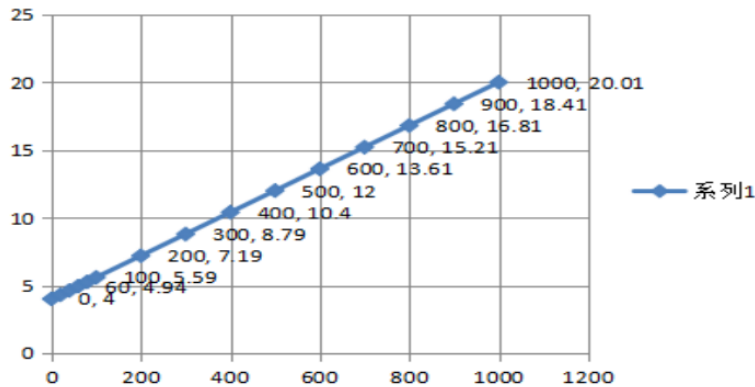
1. There is no special requirement for the transducer to be a three wire transducer, the wiring should be connected according to the label instructions.

(Note: The false wiring may result in the damage of the transducer)

2. Custom design in the different rated input current and the output transducer are available

Characteristics chart

Input-output characteristic curve)



Installation Diagram

