

Energom-P-2A DC INSULATION MONITOR

DC INSULATION MONITORING



Introduction

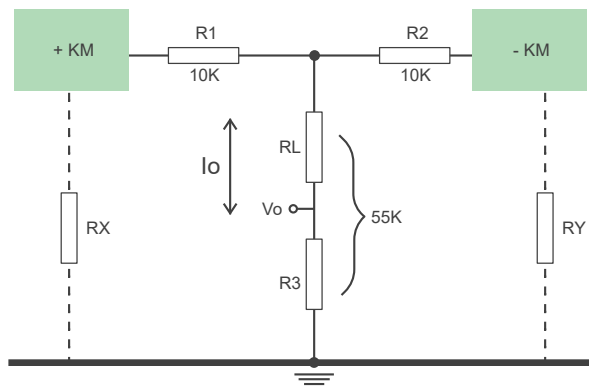
Energom-P-2A series DC insulation monitoring relay is an advanced device specially designed for monitoring the insulation condition of DC busbar. Using a fully calculated hardware voltage dividing circuit, it can directly display the ground resistance value, solving the problem of old-fashioned relays that only display the ground current or have no display. A highly sensitive ground resistance monitoring and display circuit can quantitatively evaluate the insulation degree of the DC system, which is crucial to ensuring the safe operation of the system.

The Energom-D-2A series DC ground fault detector monitors the insulation condition of the DC busbar and the grounding resistance of the positive and negative buses online in real time. It adopts a fully static circuit, including a highly sensitive ground resistance monitoring and display circuit. When the insulation monitor is lower than the set value, a warning signal is issued.

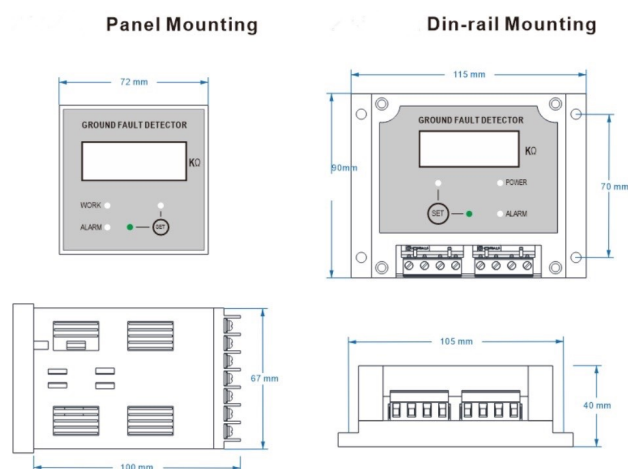
Main Features

- Bridge balance method for resistance measurement.
- Smaller short-circuit grounding current for safe operation.
- Alarm resistance threshold online display and direct setting.
- Terminals are pluggable for easy maintenance and replacement.
- Monitoring the DC circuit bus bar's RF to earth insulation resistance.
- Direct LCD busbar grounding resistance values, positive and negative.
- Reinforced shell, modular structure, high reliability.
- Wide monitoring voltage, 48-1000V, working voltage 24-220V can be customized, adjustable response value ranges of 0-100kΩ.

Working Principle



Dimension



Technical Characteristics

Parameters	Energom-D-2A	Energom-D-2C
Input voltage	0-300VDC	0-1000VDC
Power supply voltage	Self-powered	85-265 VAC/DC
Power supply current	7-20mA	
Measuring resistance	0~99.9KΩ	0~1999.9KΩ
Relay capacity	10A@250VAC / 30VDC	2A@250VAC
Measurement accuracy	V=220V (5%)	V=1000V (5%)
Alarm setting range	0~100KΩ	0~990KΩ
Short circuit ground current	V=220V (2mA)	
Action return factor	Rs=50KΩ(95%-98%)	
Output contact capacity	Sensitive load=5mS(DC220V0.2A) Resistive load(DC220V 2A)	
Installation	Panel mounting	Din-rail mounting
Operating temperature	-40°C ~ 70°C, RH 85%	