

Energom-DU-H2 SERIES INSULATION MONITORING RELAY

DC INSULATION MONITORING



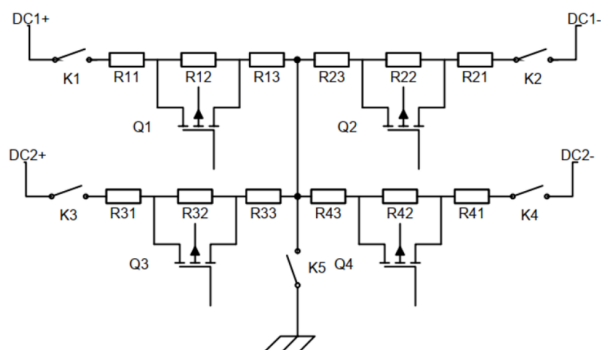
Introduction

Energom-DU-H2 series is used in on-line monitoring insulation resistance of the DC floating system (Dual DC system shared one ground). Dual DC channels are controlled independently, two DC insulation monitoring non-interference in each other. Users can enable or disable the insulation monitoring function of each DC channel and acquire insulation resistance values by RS485 communication.

Energom-DU-H2 series adopts Dual-DC channels independent control scheme. Users can control dual-channel startup, close and data reading respectively according to the communication protocol.

Energom-DU-H2	RS485, Private protocol
Energom-DU-H2Z	RS485, Modbus RTU

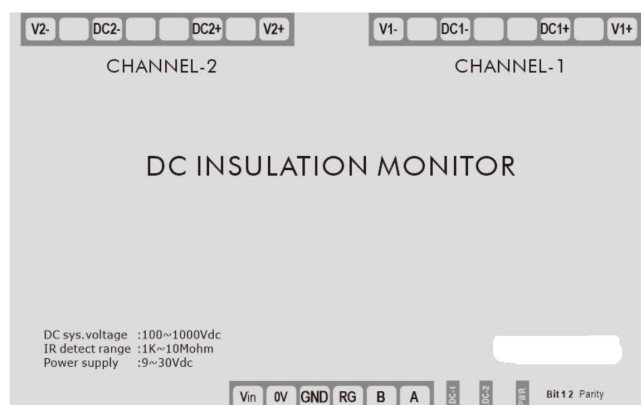
Working Principle



Main Features

- Dual-channels independent control.
- Remote monitoring and management.
- Monitor positive and negative poles.
- Ground insulation resistance.
- DC voltage monitoring.
- Vehicle side DC voltage monitoring optional.
- Voltage reverse polarity alarm.

Terminal Definition



Technical Characteristics

Basic parameters			
Power supply	10-30VDC, Power 6W		
DC voltage range	100V~1000V		
DC voltage measurement accuracy	≤2V+0.3%		
Insulation resistance measurement range	1KΩ~10MΩ (DC System voltage:100V~1000V)		
Insulation monitoring accuracy (When :DC voltage:100V-1000V)	CY range	Resistance range	Accuracy
	0~0.8μF	≤60KΩ	≤3KΩ
		60KΩ<R≤1MΩ	≤5%
	0.8μF ~3μF	≤60KΩ	≤6KΩ
60KΩ<R≤1MΩ		≤20%	
Off-line pressure test	<2mA		
Communication	RS485,Modbus RTU/ Private protocol		
Dimension	145*95*40mm,Din-rail:35mm		
Standard	IEC 61851-23 (2014-03):2014-11		
Humidity	85%		
Storage environment	- 40°C ~125°C		
Operating environment	- 40°C ~75°C		

Other parameters		
Pressure point	Maximum voltage rating	Time
DC+/DC- to GND	4200VDC/3000VAC	≤1min
Power supply +/- to GND	4200VDC/3000VAC	≤1min
RS485 A/B to GND	4200VDC/3000VAC	≤1min
DC+/DC- to power supply +/-	4200VDC/3000VAC	≤1min
DC+/DC- to A/B	4200VDC/3000VAC	≤1min