

Energom-2603

6 Channels Energy Meter
Three phase Din-Rail mounting

Description

Used for 6 channels 3P4W/3P3W three phase branch circuit electrical parameter collection, standard din-rail install and 13M width size, with 1.6" dot matrix LCD interface, can easily display all parameters on screen.

0.5class high-precision performance, can instead of multiple digital energy meter. can reduce equipment investment in electrical metering projects, improve equipment reliability and reduce maintenance costs.

Features

- 6 channels three phase circuit metering
- Measurement accuracy class 0.5
- Current measuring .../5 or .../1 A
- 1.6" dot matrix LCD screen
- Universal series power supply (85-265VAC/DC)
- With RS-485 Modbus/RTU Communications
- Optional 6 channels Digital Input (DI) and 2 channels Digital Output (DO)
- Optional advanced electrical parameter*
- Optional record and read multi- tariffs ratio, Up to 3 months (TOU record)
- Optional max 99 lists SOE record
- Accept customization design

* Refer to products Ordering Information



Technical characteristics

Current measurement on inputs (TRMS)

CT secondary rated	Standard 1A/5A
Measurement range	0 ... 9999A
Overload	1.2 times rated continuous; 5 seconds for 10 times the rated
Input consumption	<0.2 VA

Voltage measurement (TRMS)

Direct measurement	18 ... 520 VAC L-L
PT secondary	100VAC / 400VAC
Frequency	45 ... 65 Hz
Overload	1 seconds for 2 times the rated
Input consumption	<0.2 VA

Auxiliary power supply

AC voltage	DC/AC 85~265 ± 10 %, 50 / 60 Hz
Consumption	< 10 VA

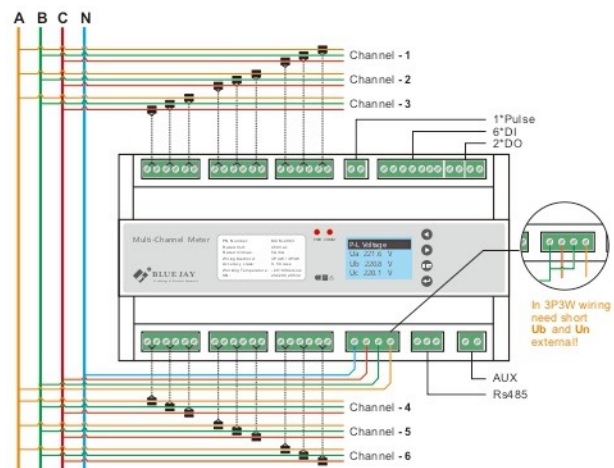
I/O port (alarms / control)

Number of relays	2 channel DO & 6 channel DI
Type	230 VAC 5 A, passive node

Communication

Link	RS485 (2/3 wires half duplex)
Protocol	Modbus RTU mode
MODBUS speed	4800/9600/12800/19200bps

Typical Wiring



Energom-2601

12 Channels Energy Meter
Single phase Din-Rail mounting

Description

Used for 18 channels 1P2W single phase branch circuit electrical parameter collection, standard din-rail install and 13M width size, with 1.6" dot matrix LCD interface, can easily display all parameters on screen.

0.5class high-precision performance, can instead of multiple digital energy meter. can reduce equipment investment in electrical metering projects, improve equipment reliability and reduce maintenance costs.

Features

- 18 channels single phase circuit metering
- Measurement accuracy class 0.5
- Current measuring .../5 or .../1 A
- 1.6" dot matrix LCD screen
- Universal series power supply (85-265VAC/DC)
- With RS-485 Modbus/RTU Communications
- Optional 6 channels Digital Input (DI) and 2 channels Digital Output (DO)
- Optional advanced electrical parameter*
- Optional record and read multi- tariffs ratio, Up to 3 months (TOU record)
- Optional max 99 lists SOE record
- Accept customization design

* Refer to products Ordering Information



Technical characteristics

Current measurement on inputs (TRMS)

CT secondary rated	Standard 1A/5A
Measurement range	0 ... 9999A
Overload	1.2 times rated continuous; 5 seconds for 10 times the rated
Input consumption	<0.2 VA

Voltage measurement (TRMS)

Direct measurement	18 ... 300 VAC L-N
PT secondary	100VAC
Frequency	45 ... 65 Hz
Overload	1 seconds for 2 times the rated
Input consumption	<0.2 VA

Auxiliary power supply

AC voltage	DC/AC 85~265 ± 10 %, 50 / 60 Hz
Consumption	< 10 VA

I/O port (alarms / control)

Number of relays	2 channel DO & 6 channel DI
Type	230 VAC 5 A, passive node

Communication

Link	RS485 (2/3 wires half duplex)
Protocol	Modbus RTU mode
MODBUS speed	4800/9600/12800/19200bps

Typical Wiring

