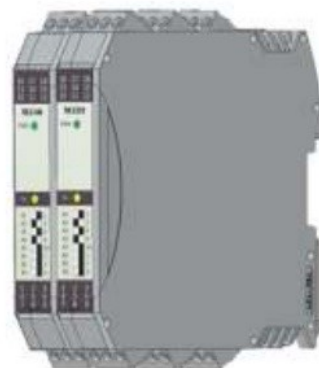


# Energom-M711/M730

## Temperature signal I/O Module

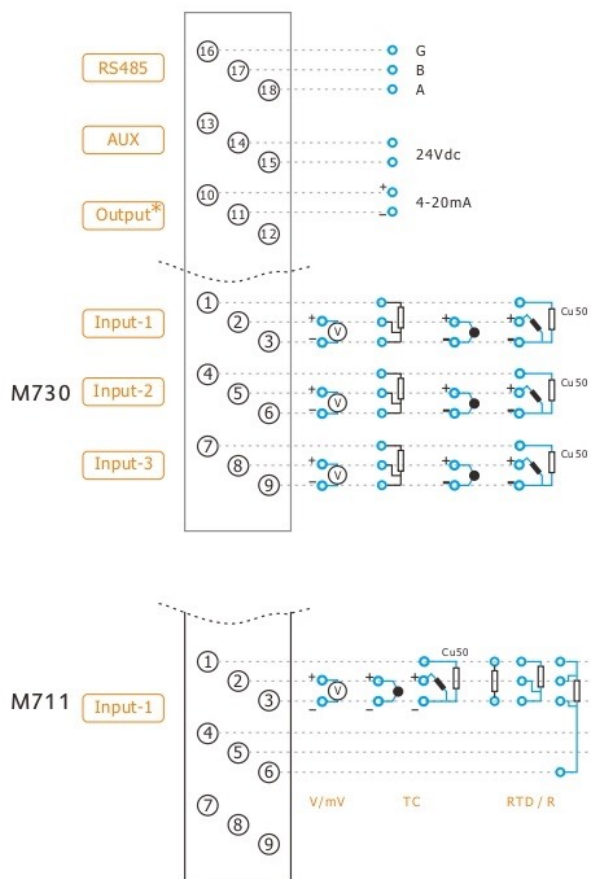


### Description

The analog output module provides isolation between Temperature signal input, analog output, power, and network circuits.

Support RS-485 Modbus RTU protocol, can be works as independent signal isolator with communication. Multiple M series modules combine with Energom-MWG1 to build remote I/O DAS system.

### Typical wiring



### Technical characteristics

<b>Power supply:</b>	
Power Supply	15~30Vdc or 10~24Vac
Power Consumption	M711 ≅ 2.5W, M730 ≅ 2W
<b>I/O capacity:</b>	
Valid input signal range & (Accuracy)	TC: K/E/S/B/R/J/T/N (≅ 1C°)
	RTD: PT100 / PT200 / PT500 / PT1000 / Cu50 (≅ 0.2C°)
	Resistance: 0~400Ω 0~4000Ω (≅ 0.05% F.S.)
	mV: +80mV (≅ +10uV)
	Voltage: 0~1V dc (≅ +10mV)
	Input Impedance
Input channels	M711*1, M730*3
Output channels	M711*1, M730 none
Response Time	< 400ms
Zero Drift	Auto Calibration
Output range	M711: 4-20mA *1, M730 none
A/D resolution	24 bit
<b>Isolation:</b>	
Insulation Resistor	>100MΩ / 500V between the input / output
Isolation Strength	AC1500v 1min between all terminal
<b>Other:</b>	
Operation Temp.	-10~70 C
Ambient Temp. / Humi.	-40 ~ 85 C / ≅ 95% RH
Dimensions	113 X 109 X 17.5mm
Terminal Wiring Way	Screw mounting, AWG #26-12
Standard	EN61326 : 1997+A1: 1998+A2 : 2001+A3 : 2003

Notes:  
M711 with 2\* output, 1\* input support various signal  
M730 without output, 4\* input only support temperature signal