

Energom-D-102 DC INSULATION MONITORING



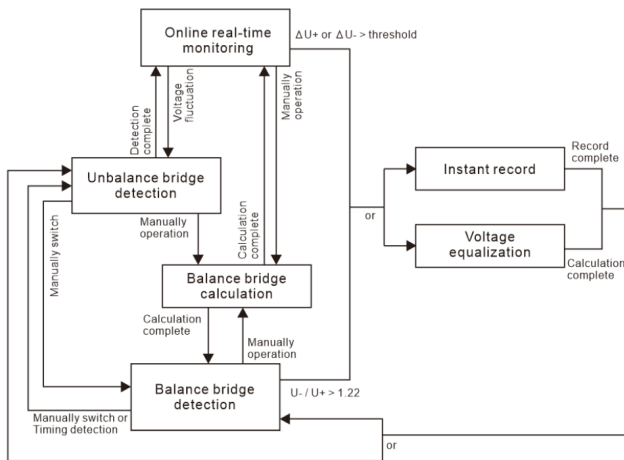
Introduction

Energom-D-102 DC system insulation monitor is a professional online monitoring equipment that uses balanced and unbalanced bridge detection technology to effectively eliminate the interference of distributed capacitance in the system. Energom-D-102 can display the leakage current of each circuit in real time and has complete DC insulation fault monitoring functions, including single-point grounding, multi-point grounding, busbar two-pole grounding, etc. Energom-D-102 use transient alarm waveform capture and current synchronous detection technology, the insulation monitoring system records voltage and current fault curves, realizes instantaneous ground monitoring and ground fault location functions, and is an ideal choice for DC power system safety protection.

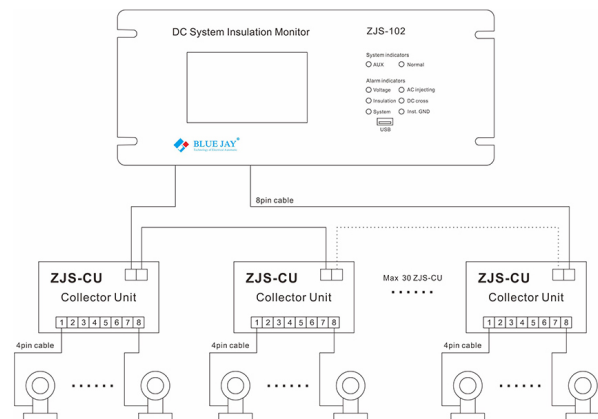
Main Features

- Circuit insulation classification alarm.
- Instantaneous ground event recording.
- Historical data analysis and download.
- Max support monitoring 240 branches.
- RS485 remote management and control.
- System distributed capacitance detection
- Continuous insulation monitoring and alarm.
- Real-time monitoring and alarming of AC /DC voltage.
- High-precision 16-bit AD converter, PLC integrated digital output.

Working Principle



Wiring Method



Technical Characteristics

Monitoring range of system insulation resistance to ground	
Earthing alarm	0-99.9K
Pre-warning	100-999.9K
Monitoring and detect range of branch insulation resistance to ground	
0-300K	
Working voltage range	
Positive pole to ground	0-300V
Negative pole to ground	0-300V
System voltage	0-300V
AC injection voltage	0-280V
Busbar-II system voltage (DC cross detect)	0-300V
Battery bank insulation fault location error	±1 cell
Alarm history record	
Record list quantities	2000 lists
Each record alarm list volume	≤32 branches
Real-time leakage current measurement	
Screen display resolution	0.01mA
Current sensor range	10mA, 20mA, 50mA, 100mA optional
Each EnergoM-D-102 port detect current volume	≤ 240 branches
Each EnergoM-D-102 collector unit connected current sensor	≤8
Instant event record	
Capture sampling ratio	1KHz, 500Hz, 250Hz, 125Hz configurable
Record quantities	2000
Waveforms for each instantaneous event	8
Others	
Passive digital output	7
Fault alarm indicator	6
Distributed capacitance range of the system	0-200uF