

Digital pressure gauge EYK-120B

Description:

EYK-102B Calibration standard digital pressure gauge imported sensor, superior performance, high accuracy, corrosion resistance, impact resistance, anti- vibration, high stability,etc.; signal processing circuitry using the latest ultra-low- power processors,signal processing and power management chip chips, using a large capacity,high performance lithium battery-powered, no external power supply. 5 percentage using the digital display and analog display, intuitive readings, the product precision can reach 0.05 for ordinary pressure gauge, precision pressure gauge and pressure transmitter calibration and test, instead of the more traditional mechanical pointer pressure table-site measuring pressure.



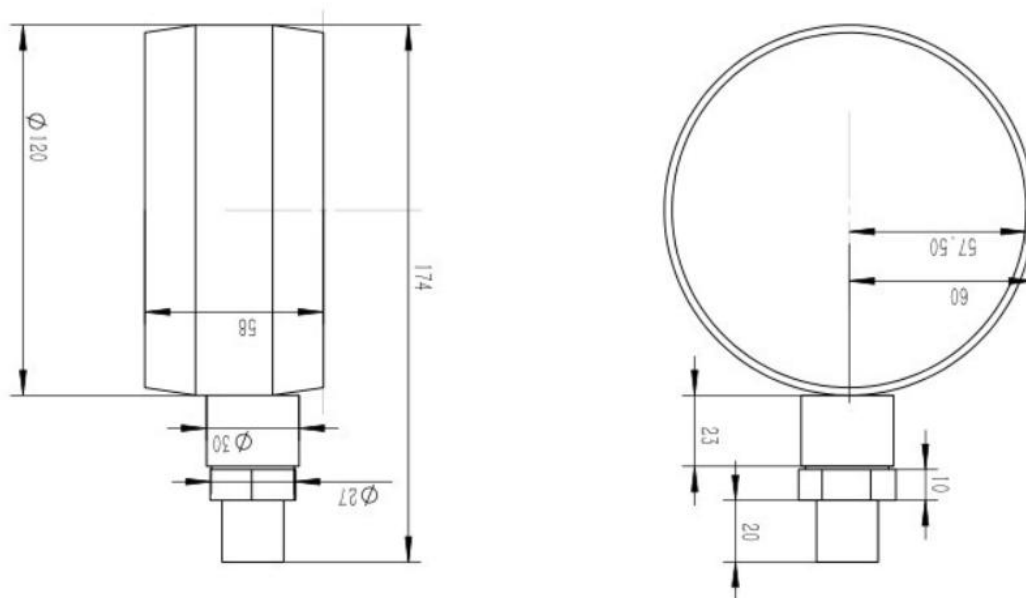
Features:

- 1.Micro-power, high accuracy, high-definition digital LCD ;
- 2.Small size, simple operation, easy field calibration pressure gauges and precision pressure measurement using;
- 3.Intelligent calibration, linear repair, two seconds and zero magnetic induction pen
- 4.LCD display with dynamic pressure, visual display percentages pressure
- 5.Pressure unit: kg/m² ,psi ,kPa ,MPa, bar pressure
- 6.Dynamic pressure measurement can be displayed online curve.

Specification:

Scale Range	-0.1~0~250MPa	Accuracy	0.02%, 0.05%,
Overload capacity	200%	Pressure Type	Vacuum,Gauge,Absolute Pressure
Stability	≤0.1%/year	Battery voltage	Chargable high energy 3.7v lithium battery
Display	LCD, 5characters	Display range	-19999~99999
Ambient temperature	-20°C~70°C	Relative humidity	≤80%
Connection size	M20x1.5 Male or oem	Pressure unit	MPa、Kpa、PSI、Bar、kgf/cm ²
Case material	SS	Medium temp	-10~80°C

Dimension drawing



Selection:

EYK-120B	Base model				
		Code	Accuracy level		
		S1	0.05		
		S2	0.02		
		Code	Pressure Range		
			See Table 1 G stand for Gauge pressure A stand for Absolute pressure		
			Code	Thread size	
			M1	M20*1.5	
			M2	G1/2	
			M3	G1/4	
			M4	NPT1/2	
			M5	NPT1/4	
			M6	M14*1.5	
		M7	Other		
EYK-120B		S1	G17	M1	Stand for 25Mpa 0.4 digital pressure gauge

Code	Range	Code	Range	Code	Range	Code	Range
G1	10KPa	G2	40KPa	G3	60KPa	G4	100KPa
G5	160KPa	G6	200KPa	G7	250KPa	G8	400KPa
G9	600KPa	G10	1MPa	G11	1.6MPa	G12	2.5MPa
G13	4MPa	G14	6MPa	G15	10MPa	G16	16MPa
G17	25MPa	G18	40MPa	G19	60MPa	G20	100MPa
G21	-100KPa	G22	±100KPa	G23	±50KPa	G24	other