

Трансформатор тока серии TTC-SCT-PT



The current transmitter converts the AC current signal into a standard electrical signal, and drives and transmits it in a constant voltage or constant current mode; it has the advantages of high precision, small size, low power consumption, strong anti-interference ability, etc. It is especially suitable for motors and intelligent low voltage Intelligent monitoring system for load current such as power distribution cabinet and PLC automation.

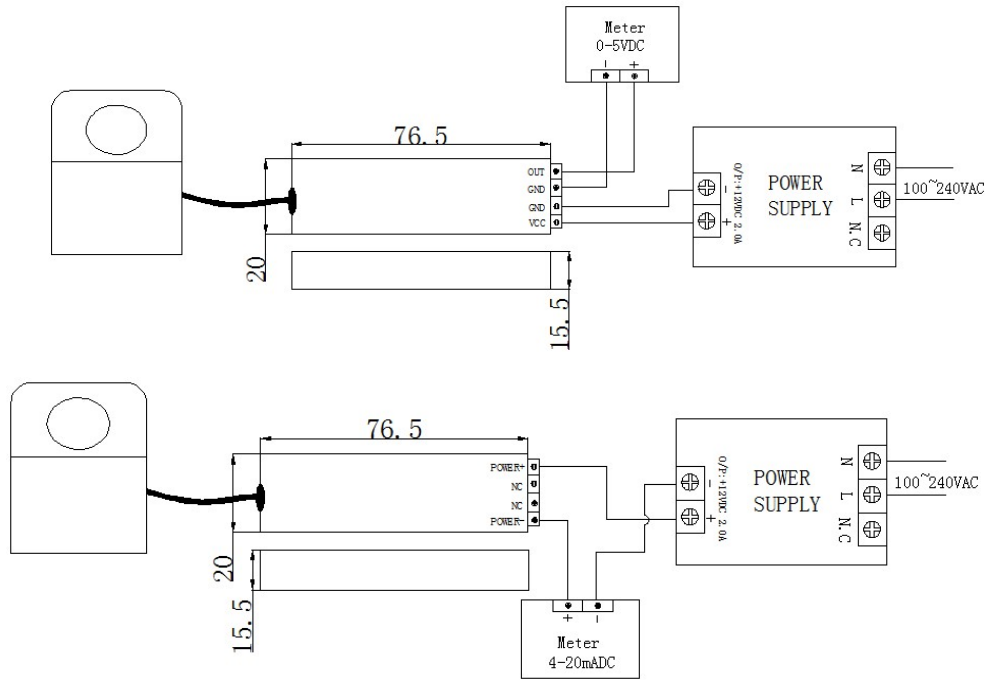
**Electrical data (Ta=25°C ±5°C)**

(AC) Current range(AC)	TTC-SCT-PT10	TTC-SCT-PT16	TTC-SCT-PT24	TTC-SCT-PT36	TTC-SCT-PT50	A
		5-80	10-120	10-300	10-500	
Measure range	1% - 100%					%
Power frequency	45-65					Hz
OUTPUT )	0-5VDC	0-10VDC	4-20mADC			Ω
(Load )	≥100K	≥100K	≤500			
Supply voltage	12 V					V
Power Consumption	<40					mA
Offset drift	@ -25~+70°C		≤±1			mV/°C
Accuracy	≤1					%
Linearity	≤1					%FS
Response time	≤20					ms
Galvanic isolation	AC,1min		10			KV
Isolation resistance	@ DC 500V		1000			M Ω
(TA) Operating temperature	-25 to +70					°C
(TS) Storage temperature	-40 to +85					°C

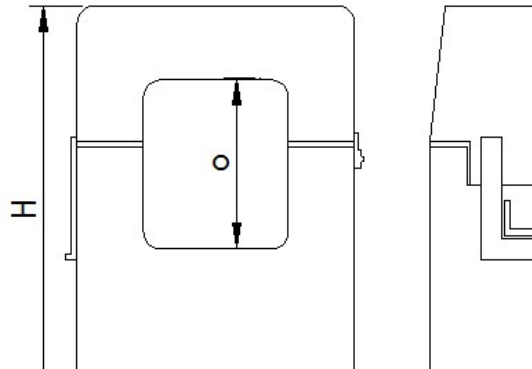
**Applications**

- power system
- Industrial control system
- Battery supplied applications

**Wiring diagram**



**Coil size diagram**



Model	Dimensions			
	L	W	H	O
	mm	mm	mm	mm
TTC-SCT-PT10	26	23	40	10
TTC-SCT-PT16	31	32	46	16
TTC-SCT-PT24	35	46	65.4	24
TTC-SCT-PT36	41.4	57.5	85.2	36