

PMAC625/625H

Three-phase Digital Panel Meter

PMAC625 is used in 220V (L-N)/ 380V (L-L) low voltage system.
PMAC625H is used in above 6KV high voltage system



Order Information

PMAC625--①--②

(Users should provide the current input when place order.)

①: Module Structure

I	Current
U	Voltage
P	Voltage + Current + Active Power
W	Voltage + Current + Active Power + Reactive Power + Power Factor + Active Energy
Z	Voltage + Current + Active Power + Reactive Power + Power Factor + Frequency + Active Energy + Reactive Energy

②: Auxiliary Function

S	Two External Status Input (wet contact)
R	Two Relay Alarm Output
C	One RS485 Communication

PMAC625H--①

(measure all parameters: voltage, current, active power, reactive power, power factor, frequency, active energy and reactive energy)

①: Auxiliary Function

R	Two Relay Alarm Output
C	One RS485 Communication

珠海派诺电子有限公司
ZHUHAI PILOT ELECTRONICS CO., LTD.



PILOT reserves the right to modify features without prior notice in view of continued improvement

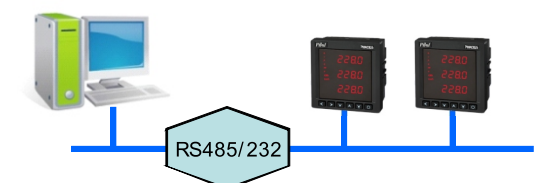


Feature

- Compact design with real-time measurements
- Measure U-LL, U-LN, 3I, In, 3P, ΣP, 3Q, ΣQ, F, 3PF, ΣPF, kWh, kvarh
- Simultaneous sampling of Volts and Amps
- External CT and PT programmable
- RS485 serials connect to PCs, PLCs, DCS, SCADA
- MODBUS-RTU standard communication protocol
- 10 years back-up of integrated data
- Auto scrolling
- Installing: 90 x 90mm panel mounting
- Password protect

Application

- Control panels
- Power distribution panel
- Energy management system
- Building management system



www.pmac.com.cn

Features Configuration List

Feature	PMAC	625-I	625-U	625-P	625-W	625-Z	625H
3I, In		●		●	●	●	●
U-LN, U-LL			●	●	●	●	●
3P, ΣP				●	●	●	●
3Q, ΣQ					●	●	●
3PF, ΣPF					●	●	●
Frequency						●	●
kWh					●	●	●
kvarh						●	●
2 status input	○	○	○	○	○	○	○
2 relay output	○	○	○	○	○	○	○
RS485 com	○	○	○	○	○	○	○

Remark: ●= standard, ○=optional

Dimension (L x W x H)	Panel: 96 x 96 x 18 mm Basic unit: 89.5 x 89.5 x 65 mm
IP index	IP54 (front panel) and IP20 (case)
Weight	350gr.

PMAC625 Technical Specification

Metering:	True RMS, 1 sec refresh time
Input:	Rate current: 1A or 5A PMAC625: 220/380V (direct) PMAC625H: 57.7/ 100V (via PT) Frequency: 50 or 60Hz
Overload:	120% of rated current or voltage
Status input:	2 channels, external power supply
Relay output:	2 channels, Node capacity: 220VAC/5A, 30VDC/5A
Power supply:	85~265VAC, 80~300VDC
Power loss:	<2VA
Communication:	RS485 serial, support Modbus-RTU Baud rate: 4800 or 9600bps Address: 1~247
Power frequency withstand voltage:	AC 2KV/minute
Insulation resistance:	> 50M Ω
Impulse withstand voltage:	5kV (peak), 1.2/50uS

Environment

Operating temperature:	-10℃~ +55℃
Storage temperature:	-30℃~ +80℃
Humidity:	5%~95% non-condensing

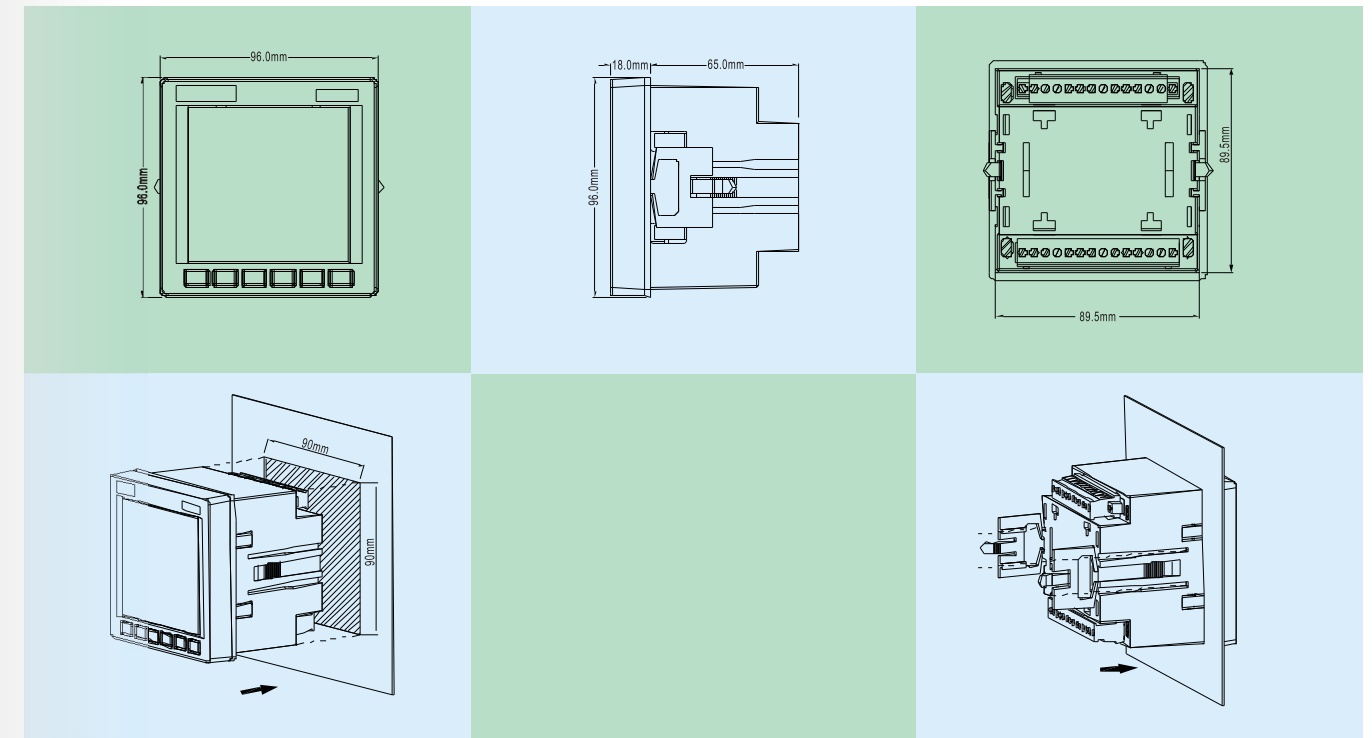
Electromagnetic compatibility

Electrostatic discharge immunity test:	IEC61000-4-2, level 4
Radiated immunity test:	IEC61000-4-3, level 3
Electrical fast transient/ bust immunity test:	IEC61000-4-4, level 4
Surge immunity test (1, 2/50 μ s~8/20 μ s):	IEC61000-4-5, level 3

Accuracy & Resolution

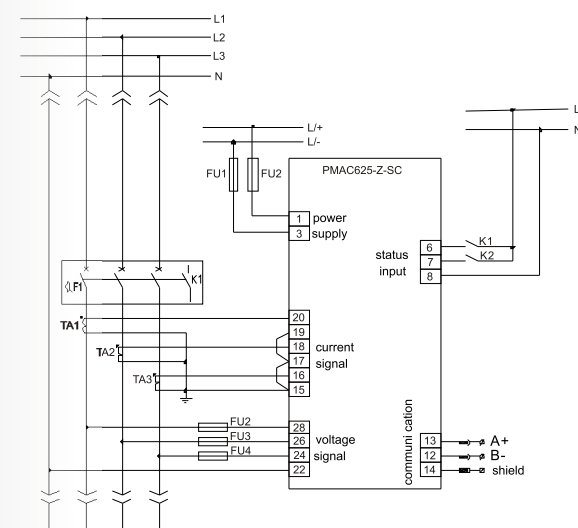
Parameter	Accuracy	Resolution	Measuring Range
Voltage	0.2%	0.01	PMAC625: 264V(L-N), 456V (L-L) PMAC625H: PT primary:999.9 KV PT secondary: 57.7V (L-N), 100V (L-L)
Current	0.2%	0.001	CT primary: 0~9,999A CT secondary: 1 A or 5A
Power	0.5%	0.1	PMAC625: 9,999 KW/ KVAR PMAC625H: 9,999 MW/ MVAR
Power factor	0.5%	0.001	-1.000~+1.000
Frequency	0.5%	0.01	35-65Hz
Active energy	1.0%	0.1	0-99,999,999.9 KWH
Reactive energy	2.0%	0.1	0-99,999,999.9 KVARH

Installation



Connection

PMAC625 3-phase 4-wire typical connection



PMAC625H 3-phase 3-wire typical connection

