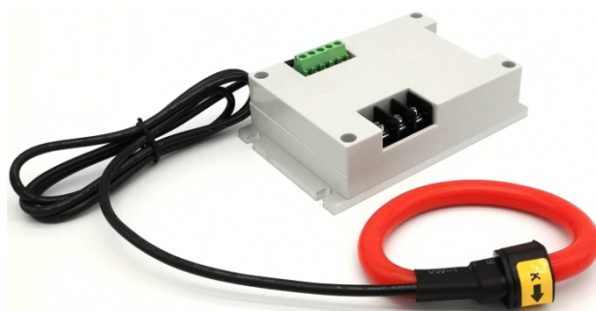


TTC-KR (1Aac)

Rogowski coil transducer (1Aac) is based on the industrial demand and design a with high precision, high safety, low power consumption of the transmitter. The power meter can be in a variety of specifications, the instrument is connected.



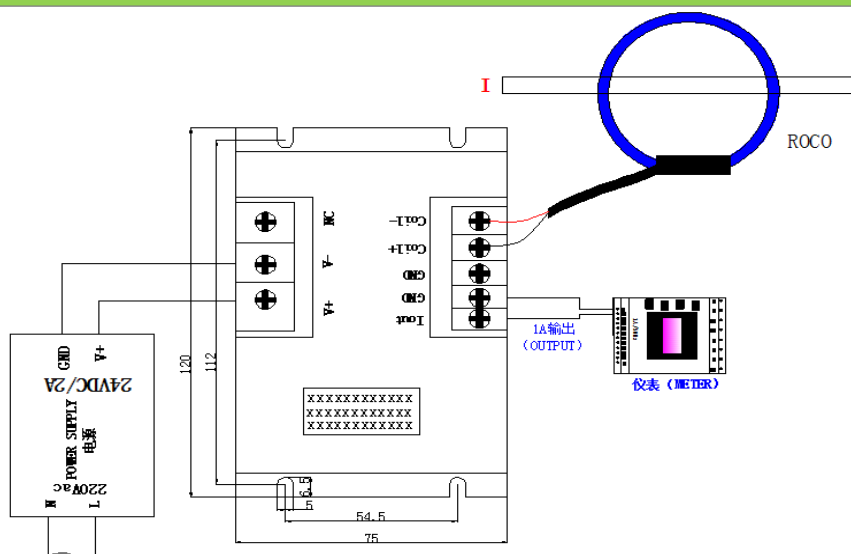
Electrical data (Ta=25°C±5°C)

Current range(AC)	100-10K	A
Measure range	5% - 120%	%
Power frequency	45-65	Hz
Rated output	1A	Aac
Load	<0.1(Short circuit use)	Ω
Supply voltage	24V/≥1.5A	V
Power Consumption	< 100	mA
Offset drift	@ -25~+70°C ≤±1	mV/°C
Accuracy	≤1	%
Linearity	≤1	%FS
Response time	≤20	ms
Galvanic isolation	AC,1min 10	KV
Isolation resistance	@ DC 500V 1000	MΩ
Operating temperature	-25 to +70	°C
Storage temperature	-40 to +85	°C

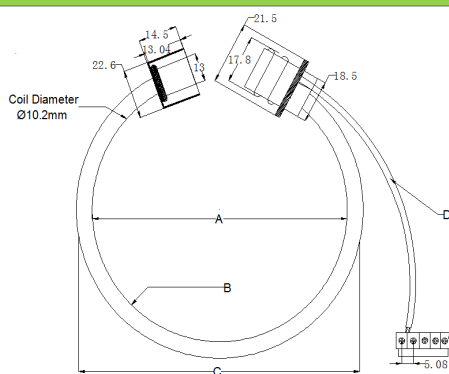
Applications

- power system _____
- Industrial control system
- Battery supplied applications

Mechanical dimension(for reference only)



Coil size diagram



A(mm)	B(mm)	C(mm)	D(m)
≤600	10.5	A + 2*B	≤50
Custom made	10.5	Custom made	Custom made

linear graph(for reference only)

